



GN 1/1



Insulated container with front opening for the transport of products at controlled temperature

- Brand: MELFORM
- Country of origin: ITALY
- Customs code: 39231090
- Compatible with food contact
- Color: melange grey/blue
- Capacity: 90 liters.
- Technology: rotational
- Warranty: 24 months
- Fully recyclable at the end of its operational life.
- Stackable and easy to handle

MANUFACTURING MATERIALS








Polyethylene	inner and outer walls of the container and door; suitable for food contact	Polyurethane	insulating material between the walls of the container and the door; CFC and HCFC free
Silicone rubber	gasket	Glass fiber reinforced polyamide	hinges, closures
Stainless steel	gripping handles		

Model	Code	EAN code	Ext. dim. (mm)	Int. dim. (mm)	Capacity (liters)	Weight (kg)
AF12 melange	AF12H006	8022949060787				
AF12 red	AF12H004	8022949060602	440x665xh650	330x533xh515	90	16,5
AF12 blue	AF12H005	8022949116996				

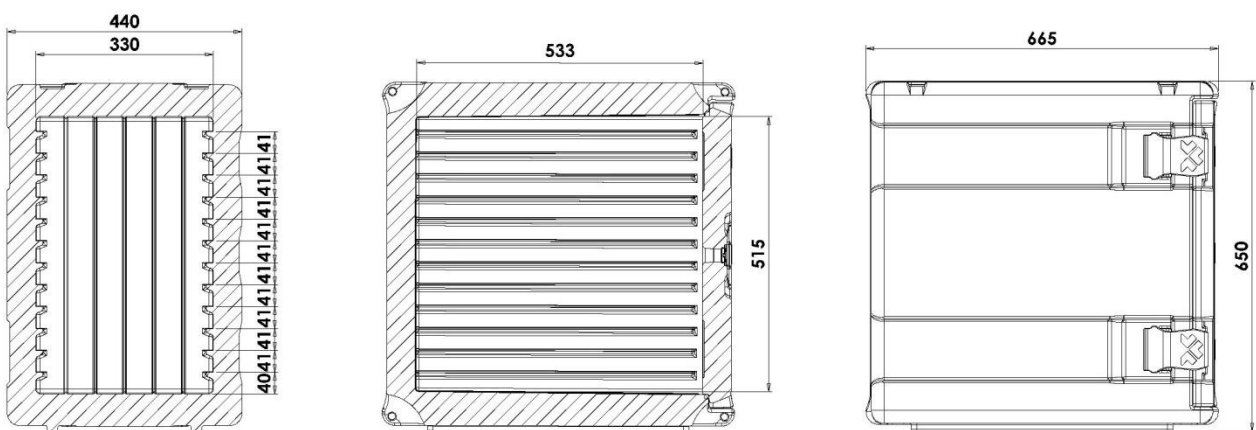
PRODUCT FEATURES

	<p>Equipped with 12 guides at constant pitch (40 mm); see dimensional diagram).</p>		<p>It can carry:</p> <ul style="list-style-type: none"> • 1 eutectic plate + 2 GN 1/1 h 200 • 4 GN 1/1 h 100; • 3 GN 1/1 h 150; • 6 GN 1/1 h 65.
	<p>Equipped with opening door up to 240° and easily removable, to facilitate washing operations.</p>		<p>Sealing gasket of the door easily dismantled.</p>
	<p>Heating door, analog or digital version to extend the time of transport in hot bond:</p> <ul style="list-style-type: none"> • power 200W • cable 240V l=2 mt • IPX4 • heating unit with stainless steel interior 		<p>Eutectic plates:</p> <ul style="list-style-type: none"> • warm (red) • fresh (pink) • super fresh (white) • frozen (blue) • frozen plus (Green) <p>to increase maintenance performance thermal over time</p>
	<p>Stainless steel grid GN1/1</p>		<p>Grip handles integrated in stainless steel.</p>
	<p>Closing hooks Melform in shockproof material.</p>		<p>Provided with zippers made of shockproof material and resistant to stress.</p>

PRODUCT FEATURES

	<p>Handling trolley:</p> <ul style="list-style-type: none"> • capacity 150 Kg; • 4 non-marking rubber wheels and PP core; • diam wheels: 125 mm; • 2 fixed wheels; • 2 swivel wheels, 1 of which with brake. 		<p>Stainless steel fixing kit: 2 closures for modular system 2 closures for fixing to the trolley</p>
	<p>Equipped with adjustable vent valve .</p>		<p>Paper labels kit for the identification of the content or destination</p>
	<p>Monobloc structure, without edges, joints and welding.</p>		<p>Modular: two overlapping containers, perfectly insulated, for multi-temperature transport.</p>
	<p>USB datalogger to record temperature during transport.</p>	<p>°C</p>	<p>Container granted for use from -30° C to +100°C.</p>

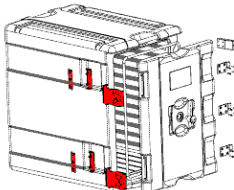
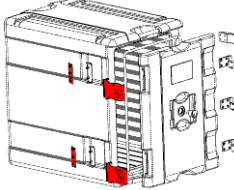
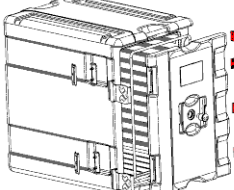
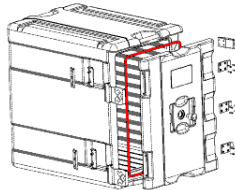
TECHNICAL DATA (mm)



ACCESSORIES

Model	Code	Color	Ext. dim. (mm)	Int. dim. (mm)	Capacity (liters)	Weight (kg)
Heating door 230 V digital	3B3M0016	red	440x110xh570			5,2
Heating door 230 V analog	3B3M0018	red	440x110xh570			5,2
Body AF12	3125H006F	mel. grey blue	440x665xh650	330x533xh515	90	14
Hot plate GN 1/1	PEGS0003	red	530x325xh30			3
Fresh plate GN 1/1	PEGS0001	rose	530x325xh30			4
Superfresh plate GN 1/1	PEGS9001	white	530x325xh30			4
Frozen plate GN 1/1	PEGS0002	blue	530x325xh30			4
Frozen plate plus GN 1/1	PEGS9008	green	530x325xh30			4
Trolley for AF12	THS20009	mel. grey blue	505x685xh205			6,4
Paper labels Kit	RRI157		100 pieces per kit			
Grid stainless steel GN1/1	AEA020	stainless steel	530x325xh12			1,3
Fixing kit Trolley/modular	RRI137	stainless steel	4 pieces per kit			1,2
Data logger USB	AFG007		80x33xh14			

SPARE PARTS

			
RRI112	RRI004	RRI113	RRI024
Complete kit chiusura 4 pieces per package	Closure kit (pallet only) 4 pieces per package	Complete hinge kit 2 pieces per package	Gasket kit 5 pieces per package