



GN 1/1



Insulated container with front opening for the transport of products at controlled temperature

- Brand: MELFORM
- Country of origin: ITALY
- Customs code: 39231090
- Compatible with food contact
- Color: melange grey/blue
- Capacity: 68 liters.
- Technology: rotational
- Warranty: 24 months
- Fully recyclable at the end of its operational life.
- Stackable and easy to handle

MANUFACTURING MATERIALS

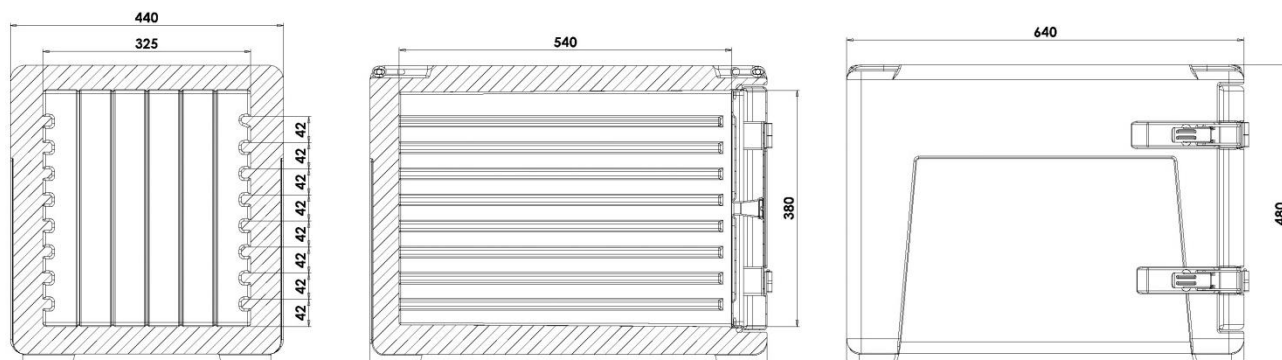
Polyethylene	inner and outer walls of the container and door; suitable for food contact	Polyurethane	insulating material between the walls of the container and the door; CFC and HCFC free
Silicone rubber	gasket	Glass fiber reinforced polyamide	Hinges
Stainless steel	grip handles, closures	Acetal resin POM	handle covers

Model	Codicand	EAN code	Ext. dim. (mm)	Int. dim. (mm)	Capacity l	Weight Kg
AF8 melange	AF080006	8022949008260	440x640xh480	325x540xh380	68	11
AF8 blue	AF080001	8022949008215				
AF8 red	AF080004	8022949008246				

PRODUCT FEATURES

	<p>Equipped with 8 guides at constant pitch (42 mm; see dimensional diagram).</p>		<p>It can carry:</p> <ul style="list-style-type: none"> • 4 GN 1/1 h65; • 2 GN 1/1 h150; • 1 GN 1/1 h 65 + 2 GN 1/1 h 100; • 1 GN 1/1 h 100 + 1 GN 1 /1 h 200;
	<p>Equipped with opening door up to 240° and easily removable, to facilitate washing operations.</p>		<p>Eutectic plates:</p> <ul style="list-style-type: none"> • warm (red) • fresh (pink) • super fresh (white) • frozen (blue) • frozen plus (Green) <p>to increase maintenance performance thermal over time</p>
	<p>Stainless steel grip handles with handle cover.</p>		<p>Equipped with vent valve adjustable.</p>
	<p>Sealing gasket of the door easily dismantled.</p>		<p>Closing hooks Melform in stainless steel.</p>
	<p>Equipped with hinges in shockproof material and resistant to stress.</p>		<p>Smartdolly trolley:</p> <ul style="list-style-type: none"> •capacity 150 Kg; •4 non-marking rubber wheels and PP core; •diam wheels: 100 mm; •2 fixed wheels; •2 swivel wheels. <p>Available with chromed or stainless steel handle.</p>
	<p>Monobloc structure, without edges, joints and welding.</p>		<p>Insulation with CFC and HCFC-free polyurethane foam.</p>
	<p>Available (on request) USB datalogger to record temperature during transport.</p>	<p>°C</p>	<p>Container granted for use from -30°C to +100°C.</p>

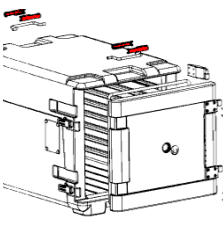
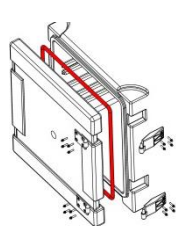
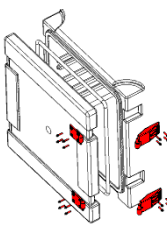
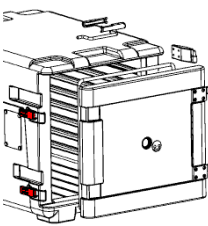
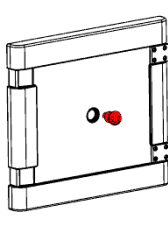
TECHNICAL DATA (mm)



ACCESSORIES

Model	Code	Color	Ext. dim. (mm)	Int. dim. (mm)	Capacity l	Weight Kg
Hot plate GN 1/1	PEGS0003	red	530x325xh30			3
Fresh plate GN 1/1	PEGS0001	rose	530x325xh30			4
Superfresh plate GN 1/1	PEGS9001	sand	530x325xh30			4
Frozen plate GN 1/1	PEGS0002	blue	530x325xh30			4
Frozen plate plus GN 1/1	PEGS9008	green	530x325xh30			4
Grid stainless steel GN1/1	AEA020	stainless steel	530x325xh12			1,3
Smartdolly Cart chrome handle	MAXI0019	Mel. grey blue	525x750xh965			9,5
Smartdolly Cart stainless steel handle	MAXI0018	Mel. grey blue	525x750xh965			9,5
Smartdolly Cart without handle	MAXI9007	Mel. grey blue	525x750xh210			7
Data logger USB	AFG007		80x33xh14			

SPARE PARTS

				
RRI019	RRI023	RRI113	RRI130	RRI030
Handle cover kit	Gasket kit	Complete hinge kit	Stainless steel closure kit	Vent plugs kit
2 pieces per package	5 pieces per package	2 pieces per package	4 pieces per package	10 pieces per package